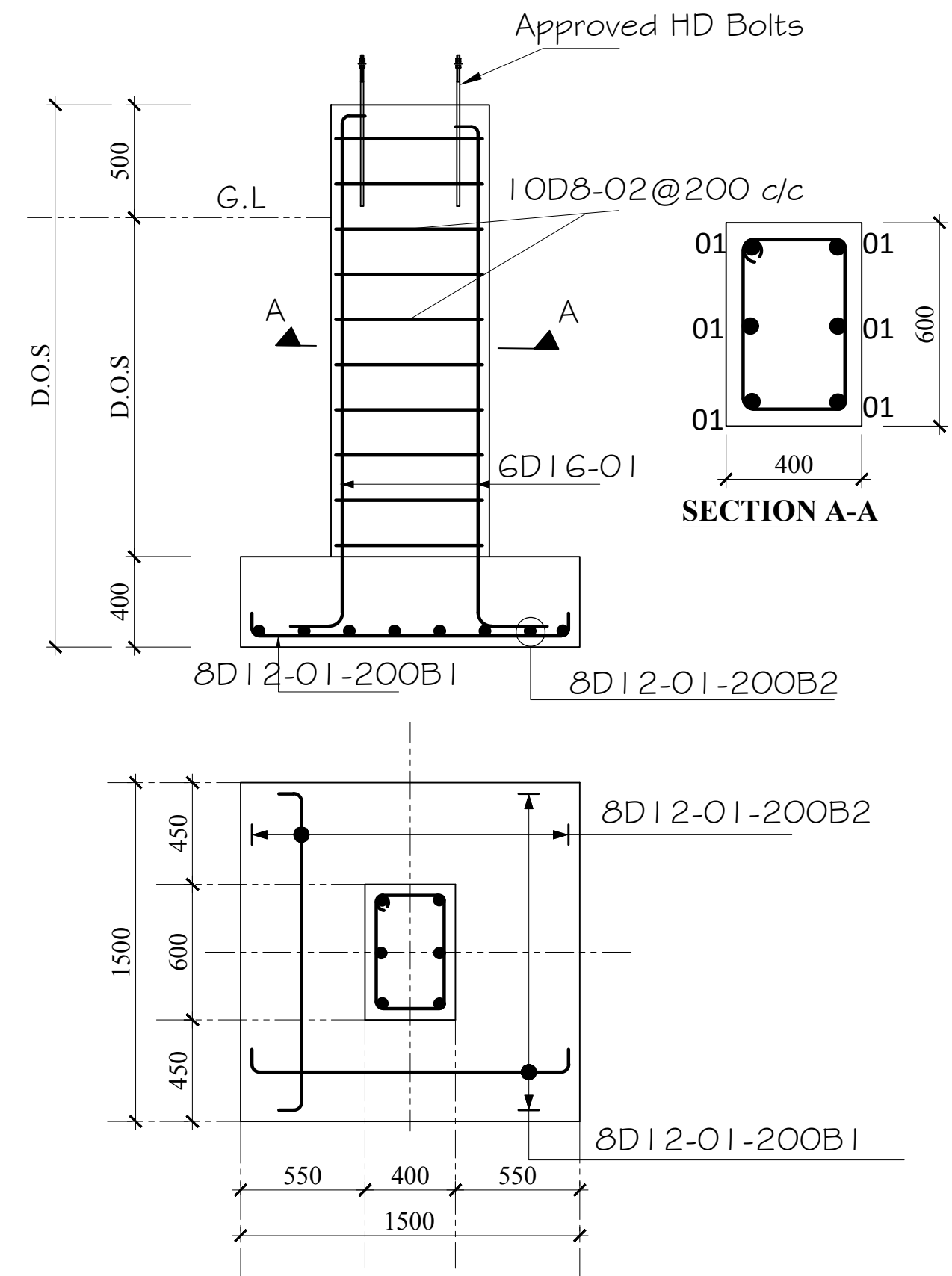
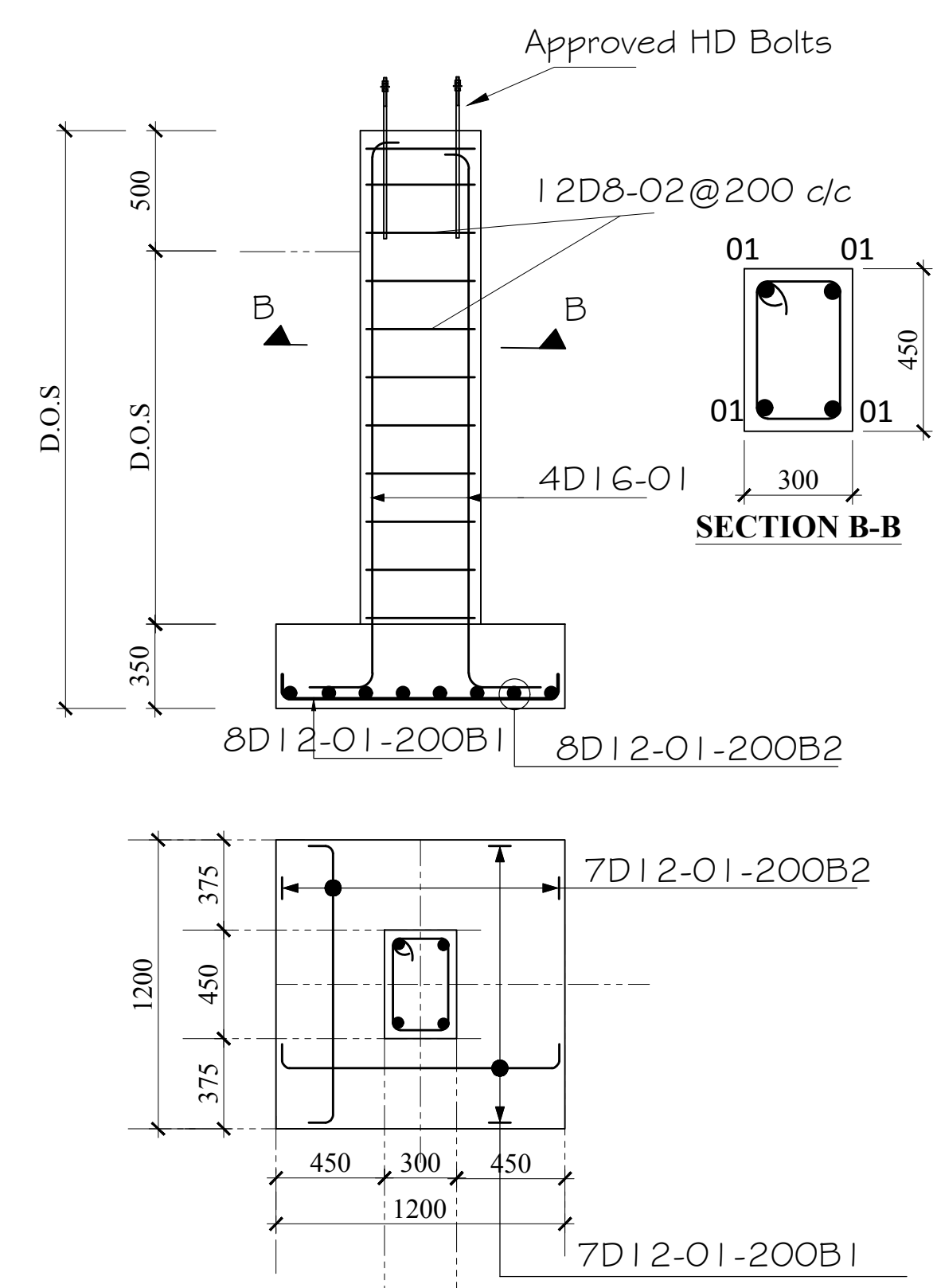


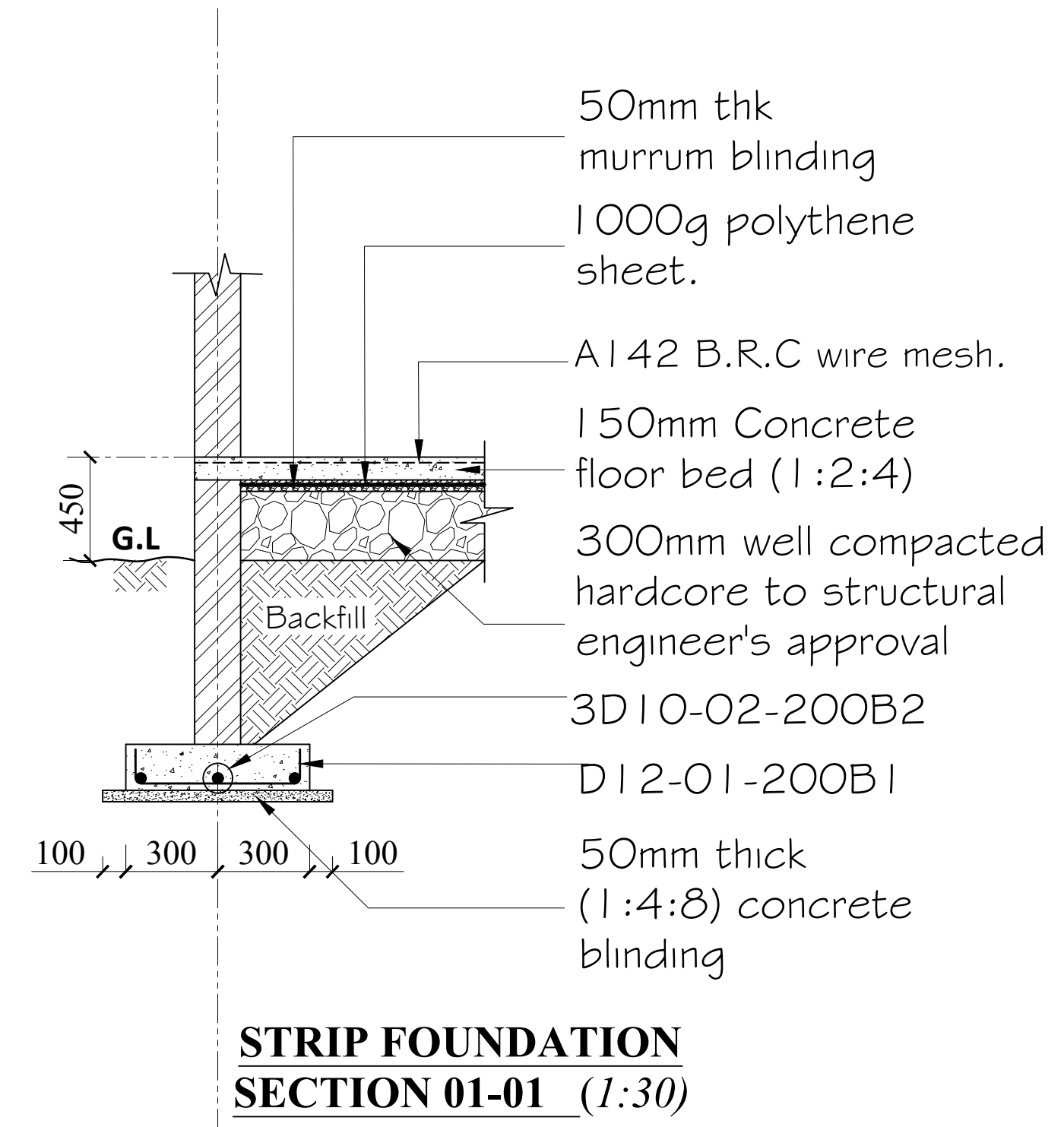
**FOUNDATION PLAN LAYOUT, (1:100)**



**COLUMN (1)/BASE (1) DETAILS**  
(Scale- 1:50)



**COLUMN (2)/BASE (2) DETAILS**  
(Scale- 1:50)



**STRIP FOUNDATION SECTION 01-01 (1:30)**

**GENERAL NOTES:**

1. All dimensions are in millimeters unless otherwise specified.
2. All works to be carried out in accordance with the local authority regulations.
3. Use figured dimensions only, do not Scale from the drawing.
4. All reinforced concrete works is to be in accordance with S.E's details. Concrete covers to be as follows
  - a. All substructures -50mm
  - b. Columns - 40mm
  - c. Beams - 25mm
  - d. Slabs - 15mm
  - e. B.R.C Mesh - 25mm From top of slab
- Reinforcement cut, bent and scheduled to BS. 4466. Reinforcement designated as 5D10-01-225B1 means 5NO. Deformed 10mm Diameter bars designated bar mark 01 placed at 225 centers as first bottom layer
5. Square Twisted High yield (Y-bars) reinforcement to BS 4451, Round mild steel (R-bars) reinforcement to BS 4449 and (D-bars) Deformed bars.
6. Foundation depth to be determined on site as per the ground conditions (**Hard Murrum**)
7. Symbols; **D**- Deformed bars  
**T** - Top face.  
**B** - Bottom face.  
**D.O.S**- Determined on Site.

**REVISIONS:**

**PROJECT:**

PROPOSED CONSTRUCTION OF STANDARD GRAINS STORAGE FACILITY

**DRG. TITLE:**

STORE STRUCTURAL FOUNDATION DETAILS

**CLIENT:**

MINISTRY OF AGRICULTURE, LIVESTOCK FISHERIES & COOPERATIVES.

**CONTRACT NO:**

**DRAWN BY:**

Francis k. Ngigi

**SCALE:**

1:100, 1:50, 1:25, 1:10

**CHECKED BY:**

Design Team

**D&N NO:**

**DATE:** JULY, 2021

**DESIGN TEAM:**

> Eng. R. Kanui  
> Eng. Musungu

We reserve all rights in this document and in the information contained therein. Reproduction, use or disclosure to third parties without express authority is strictly forbidden.