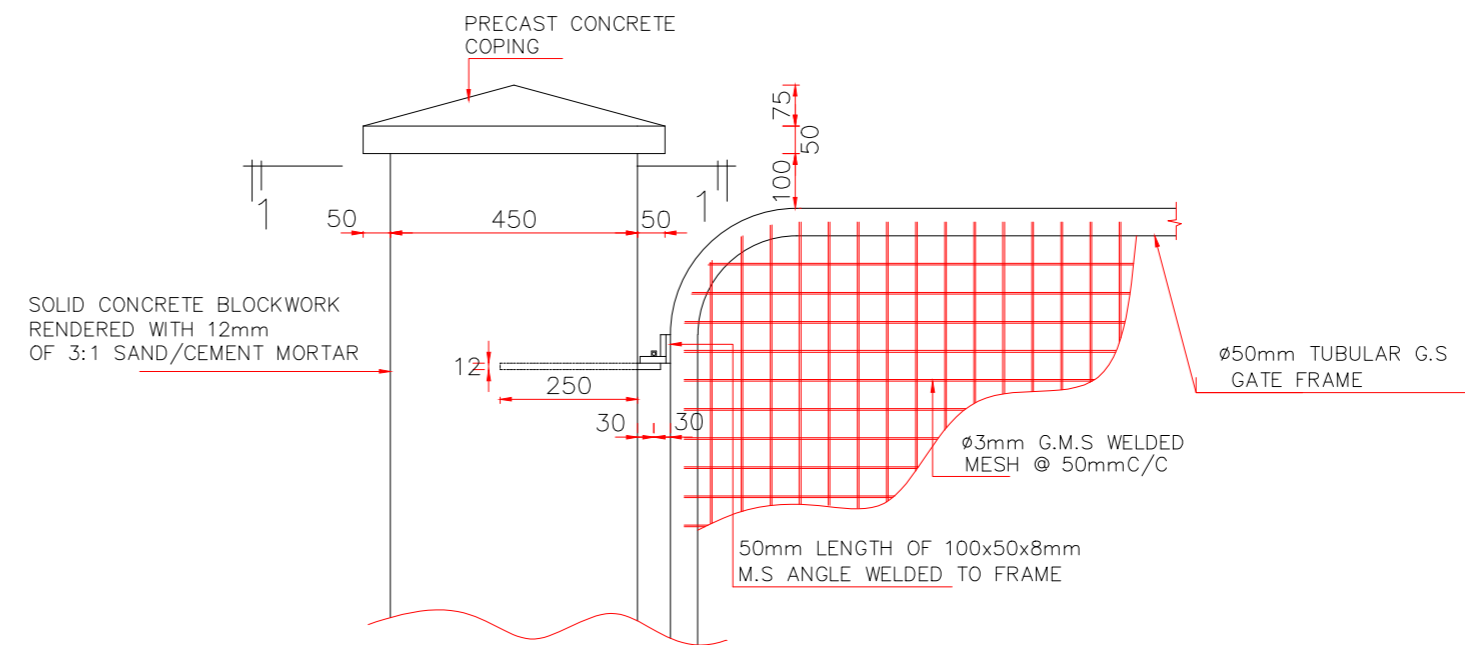
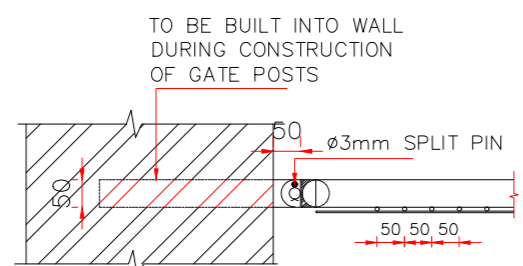


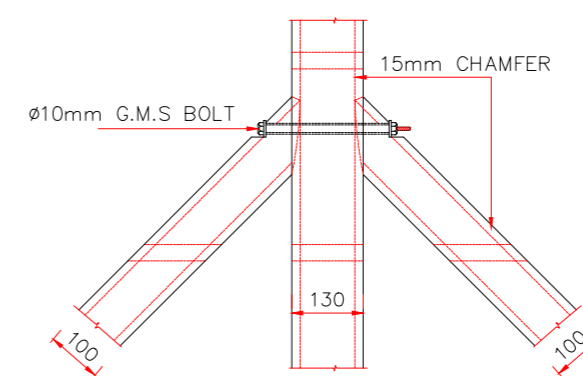
ELEVATION
SCALE: 1:50



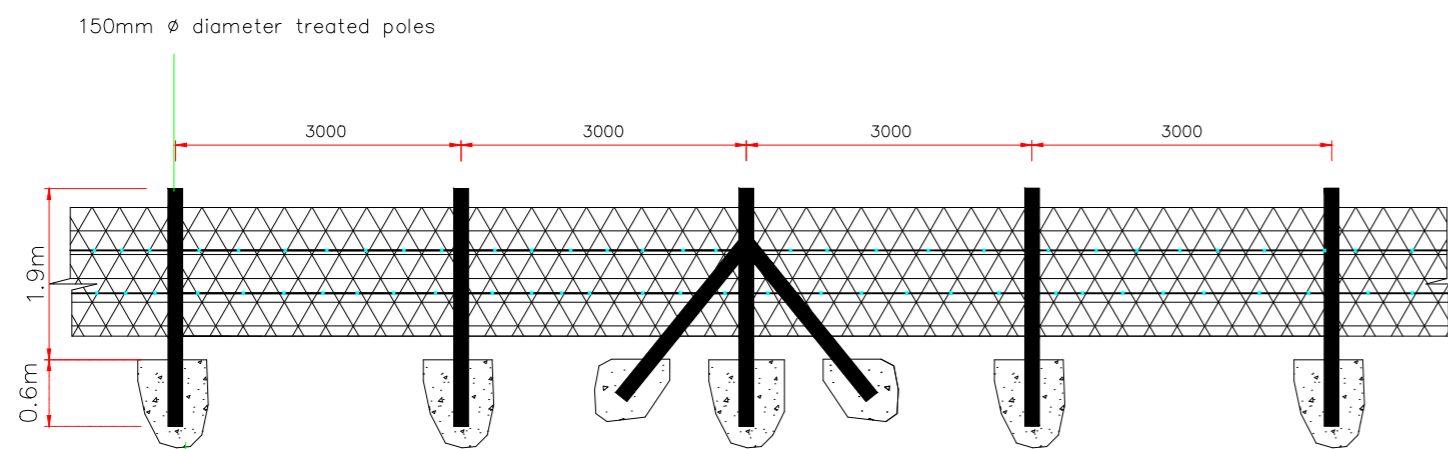
FRONT ELEVATION
SCALE: 1:10



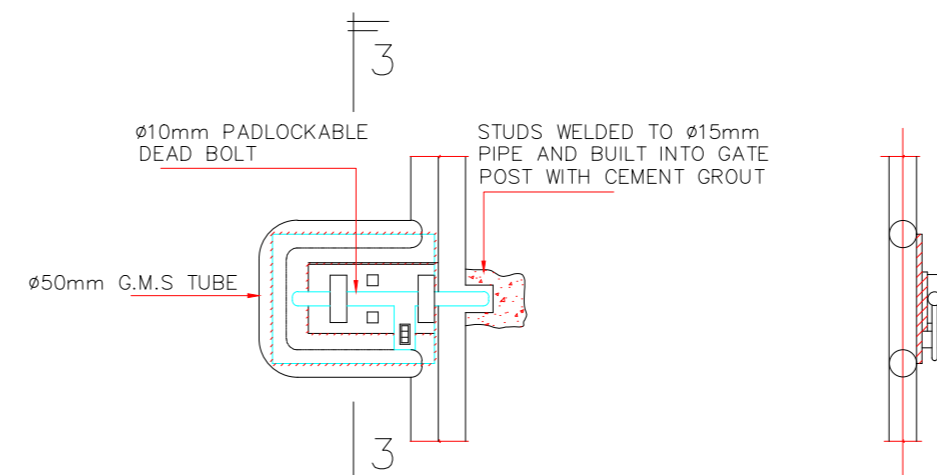
SECTION 1-1
GATE HINGE DETAIL A



DETAIL F
SCALE: 1:10



FENCING DETAILS



SECTION 3-3
SIDE GATE LOCKING DETAIL C
SCALE: 1:10

General Notes

1. ALL DIMENSIONS ARE IN MILLIMETRES UNLESS OTHERWISE STATED
2. ALL STEELWORKS IS TO BE CLEANED IN ACCORDANCE WITH THE SPECIFICATION ON DIPPED GALVANISED
3. ALL PRECAST ITEMS TO BE CLASS'20'

LEGEND

- Ø - DIAMETER
- G.M.S - GALVANISED MILD STEEL
- C/C - CENTRE TO CENTRE
- MS - MILD STEEL

Sign _____
Sign _____
Sign _____

| No. | Revision/Issue | Date |
|-----|----------------|------|
| | | |

Firm Name and Address

FENCING DETAILS

Project Name and Address

MANYATTA LENGAI WATER PAN

| Project | Sheet |
|---------|---------|
| Date | 1 of 1 |
| Scale | 1:2,500 |