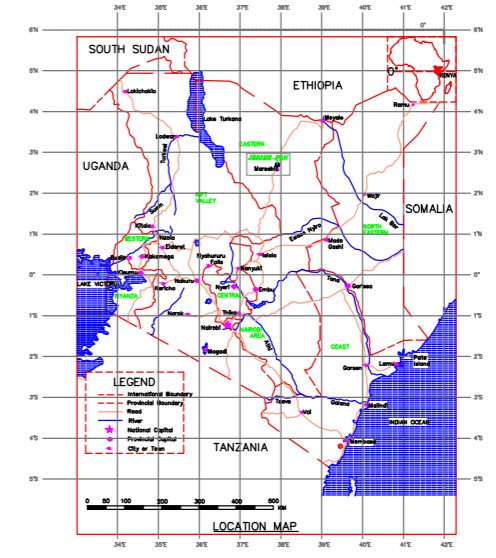
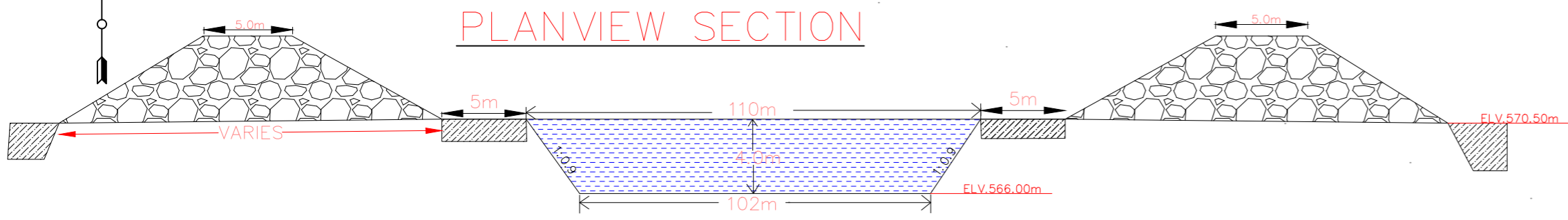
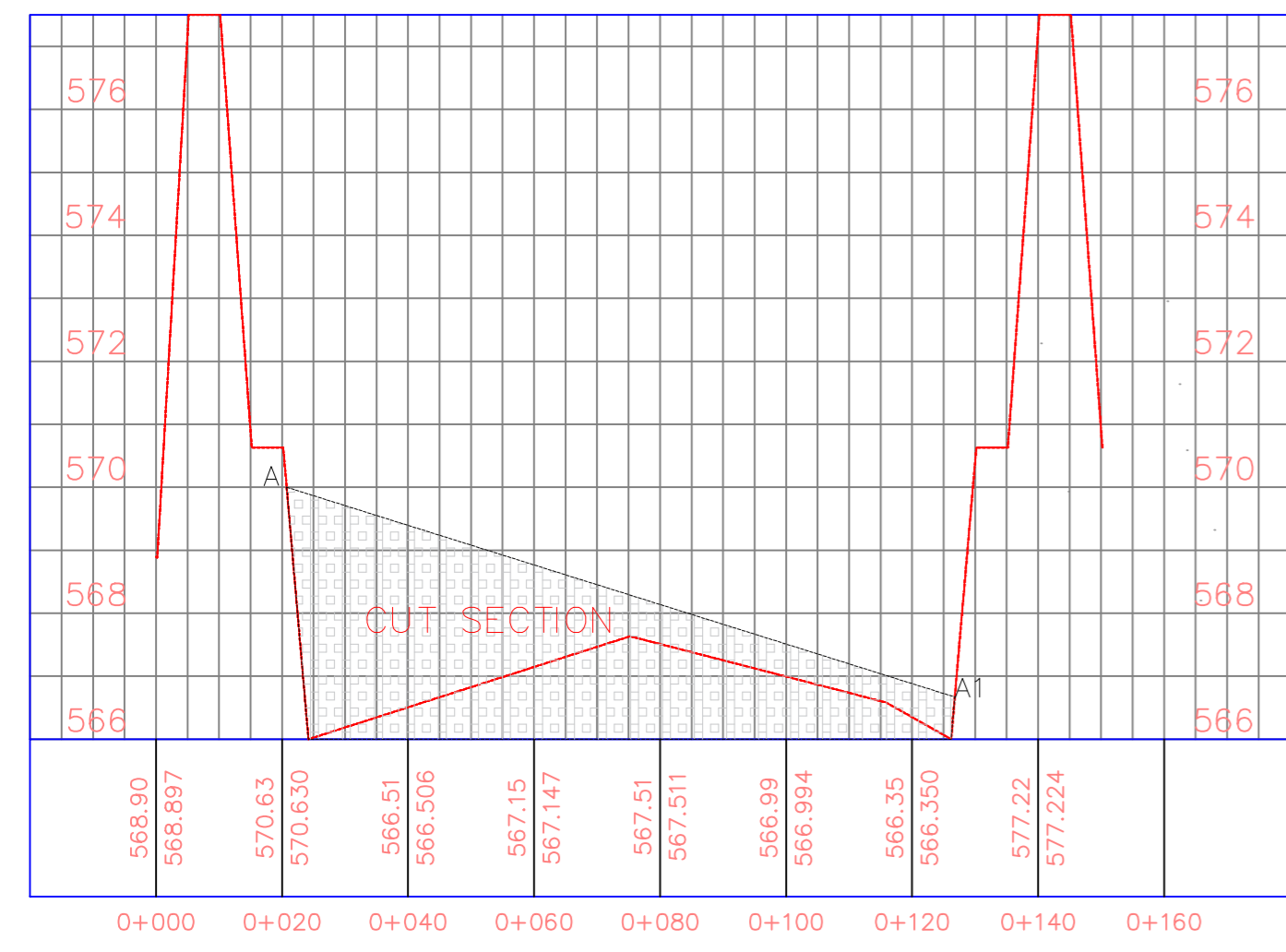


PROJECT GENERAL LAYOUT



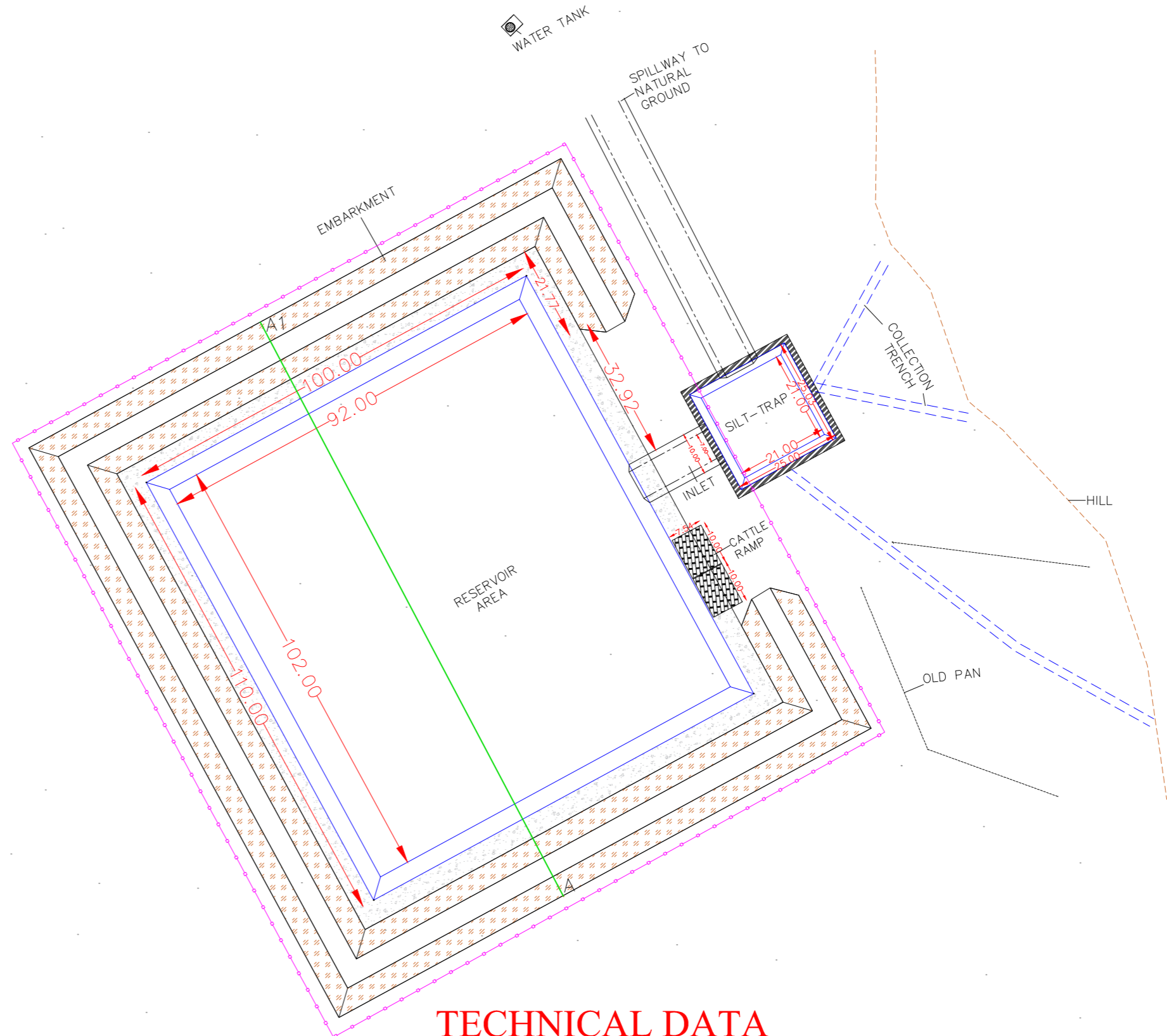
Alignment - A - A1 PROFILE



PAN SETTING OUT DATA COORDINATES

NORTHINGS EASTINGS

Point	Northings	Eastings
1	342225.833	194863.783
2	342273.622	194951.625
3	342176.996	195004.193
4	342129.207	194916.351
BM	342333.350	194947.990



TECHNICAL DATA

PAN DIMENSIONS	110 by 100 by 4.0)cubic m
APPROX AREA OF RESERVOIR	11000.00sq m.
SILT-TRAP DIMENSIONS	(25 by 25 by 2.0)cubic.m
FENCE PERIMETER	602.00m
SPILLWAY DIMENSION	(8 by 1.5 by 30)cubic m
PAN CAPACITY	40,000 CUBIC METER

General Notes

Sign _____

Sign _____

Sign _____

No.	Revision/Issue	Date

Firm Name and Address

Project Name and Address

MANYATTA LENGIMA WATER PAN

Project	Sheet
Date	1 of 1
Scale	1:2,500